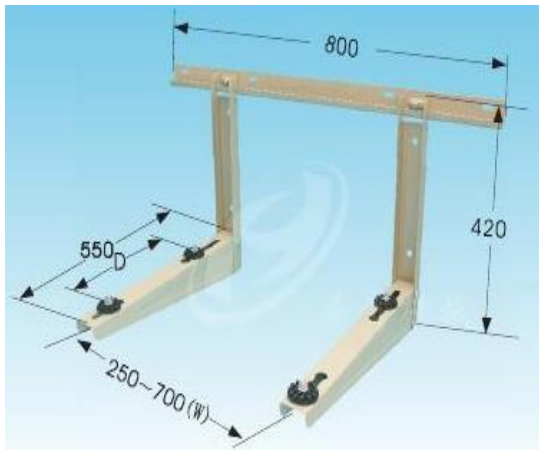
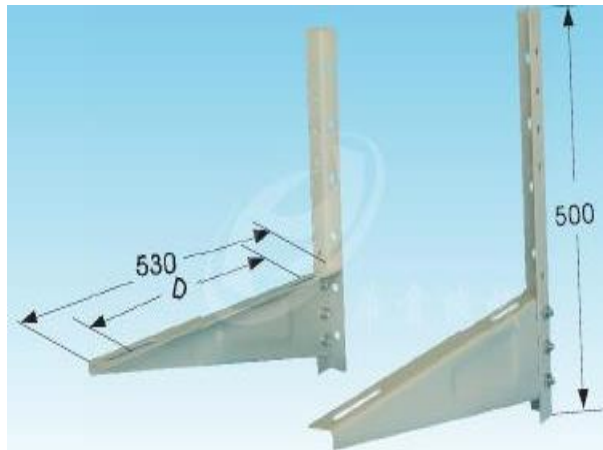


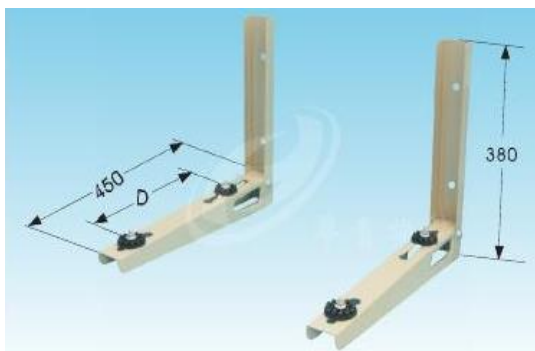
Wall Mounting Bracket For Mini Split Out Door Condenser



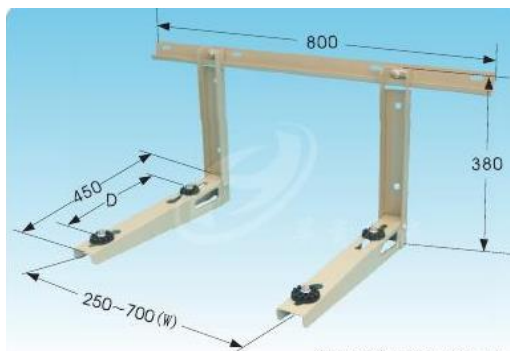
Model: HGKL-83
Weight support: Up to 330Lbs/
150 kg



Model: HGKL-F
Weight support: Up to 330Lbs/
150 kg



Model: HGK-2F
Weight support: Up to 132Lbs/
60 kg



Model: HGK-81
Weight support: Up to 132Lbs/
60 kg



Model: LLH-200
Weight support: Up to 200Lbs/
90kg



Model: LLH-300
Weight support: Up to 300Lbs/
136kg